

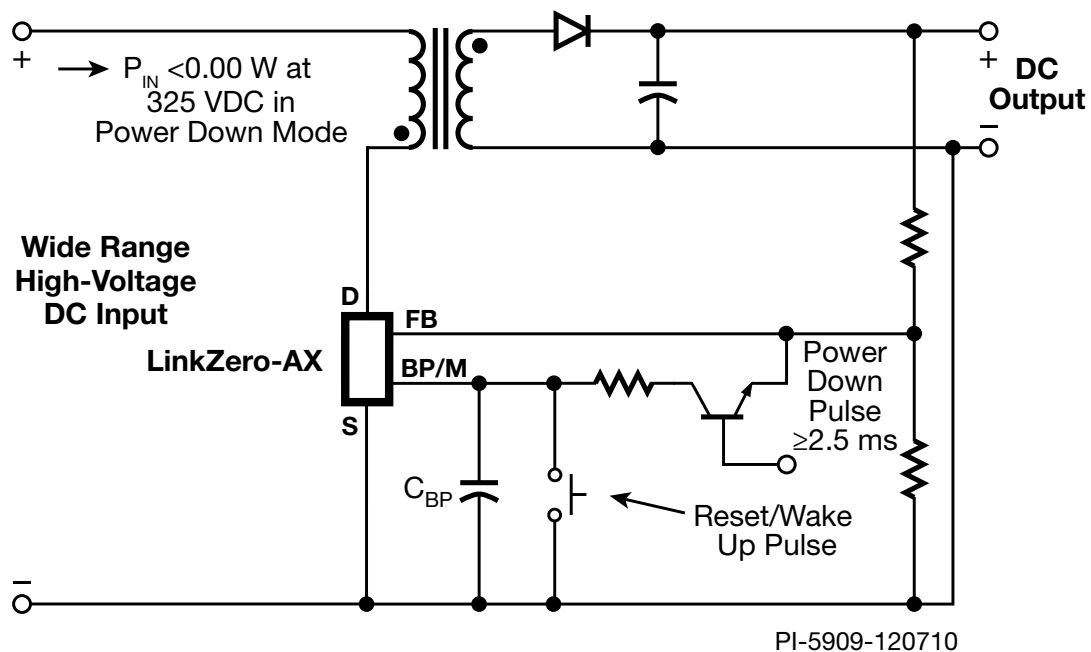
LinkZero™-AX



Key Features

- Ultra-low power consumption of <3 mW
- Suitable for low-cost, clampless designs
- Simple ON/OFF control, no loop compensation
- Constant efficiency at light load

Zero Standby Consumption Integrated Off-Line Switcher IC

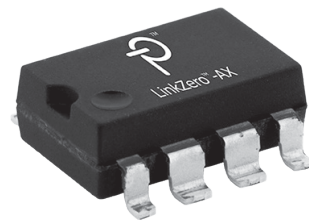


Applications

- Appliances
- IoT applications
- Televisions
- Monitors

Output Power

Product	230 VAC ±15%	85-265 VAC
	Open Frame (W)	Open Frame (W)
LNK584DG	3	3
LNK584GG	3	3
LNK585DG	4.5	4
LNK585GG	5	4.5
LNK586DG	6	5
LNK586GG	6.5	5.5



Packages: D: SO-8C, G: SMD-8C

Design Support

- Data Sheet [LinkZero-AX data sheet \(www.power.com/linkzero-ax-data-sheet\)](http://www.power.com/linkzero-ax-data-sheet)
- Design Example [1.5 W non-isolated flyback power supply with 0.00 W power-down mode \(DER-260\) \(www.power.com/der-260\)](http://www.power.com/der-260)
- Video [Introduction to LinkZero-AX \(www.power.com/linkzero-ax-video\)](http://www.power.com/linkzero-ax-video)