

Active Load for Dimming

■ Description

- ▶ The driver circuit provides the output current I_O , however the minimum value of the output current I_O may not achieve the desired amount of dimming
- ▶ An active load is coupled to the output of a driver circuit and provides an active load current I_{AL} to achieve a desired amount of dimming by reducing the current I_{LD} provided to the load of the lighting driver

■ Benefits

- ▶ Achieves full dimming of the lighting driver load, in particular with drivers where the output current I_O does not fall below a minimum value which achieves the desired amount of dimming
- ▶ **Could be used with:** lighting drivers

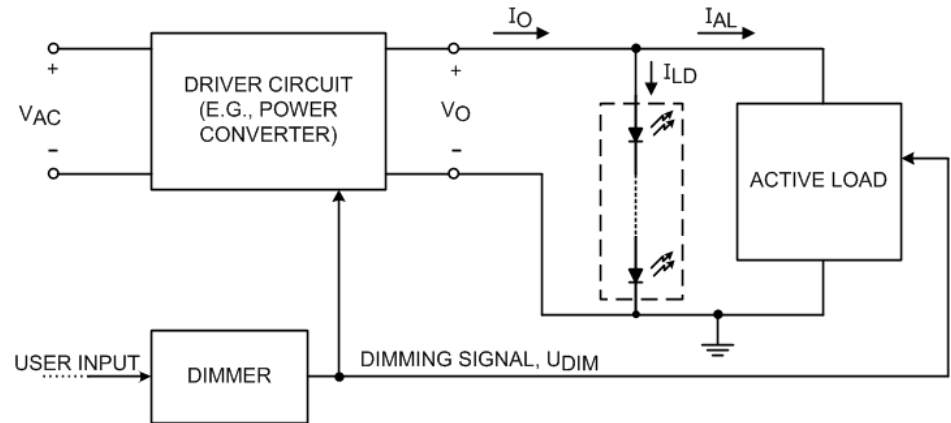


Figure 1. Lighting system including an active load circuit

Active Load for Dimming

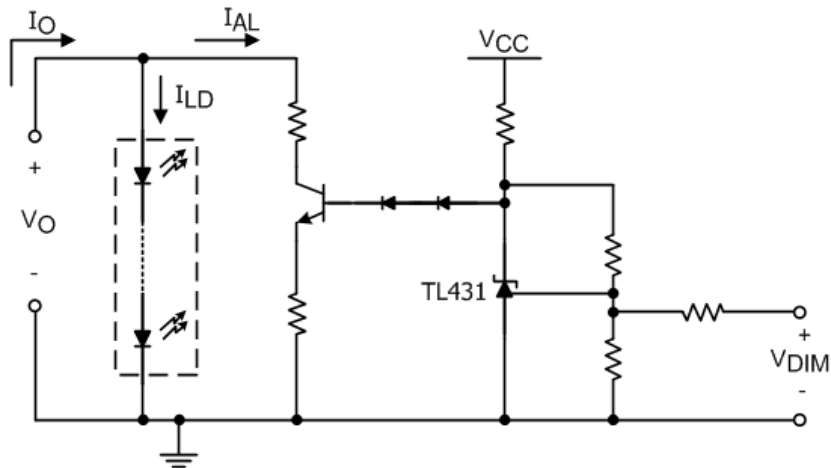


Figure 2. Example active load circuit with the dimming signal represented as voltage V_{DIM} which decreases with increased dimming

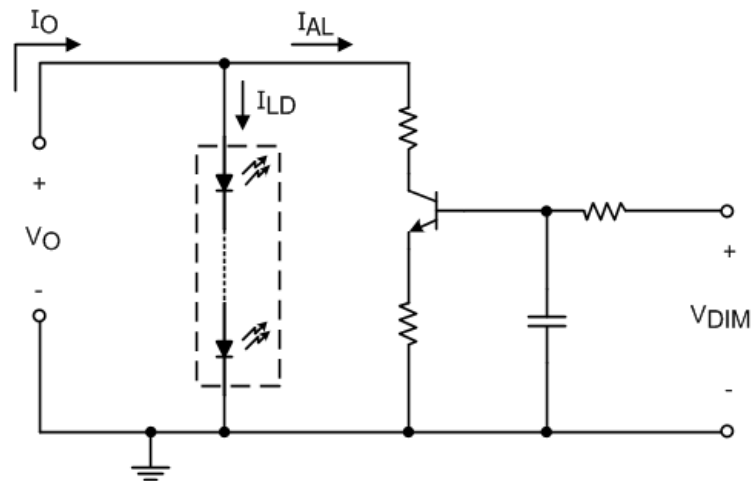


Figure 3. Example active load circuit with the dimming signal represented as voltage V_{DIM} which increases with increased dimming